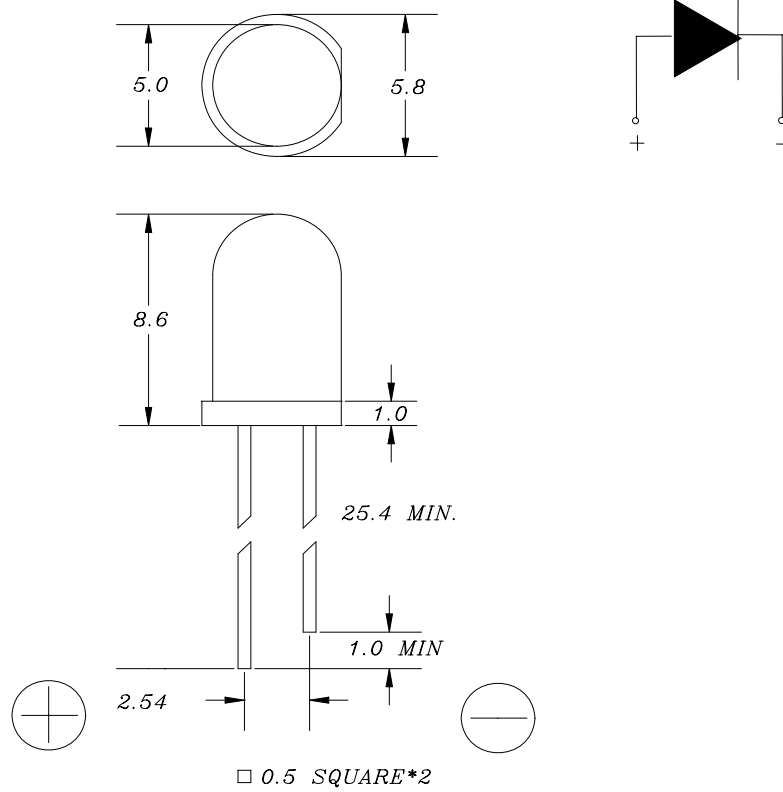


SPECIFICATION FOR APPROVAL

Part No. : YLR-050NB40-A004B-LL

Package Dimensions



Part NO.	Chip Material	Lens Color	Emission Color
YLR-050NB40-A004B-LL	InGaN	Water Clear	Super Bright Blue

Notes:

1. All dimensions are in millimeters (inches).
2. Tolerance is $\pm 0.25\text{mm}(.010\text{'})$ unless otherwise noted.
3. Protruded resin under flange is 1.0mm(.04'') max.
4. Lead spacing is measured where the leads emerge from the package.
5. Specifications are subject to change without notice.
6. HBM, Human Body Model; Seller gives no other assurances regarding the ability of products to withstand ESD.

Caution in ESD:

Static Electricity and surge damages the LED. It is recommend to us a wrist band or anti-electrostatic glove when handing the LED. All devices, equipment and machinery must be properly grounded.

SPECIFICATION FOR APPROVAL

Part No. : YLR-050NB40-A004B-LL

Absolute Maximum Ratings at TA=25°C

Parameter	Maximum Rating	Unit
Power Dissipation	80	mW
Peak Forward Current (1/10 Duty Cycle, 0.1ms Pulse Width)	100	mA
Continuous Forward Current	20	mA
Reverse Voltage	5	V
Electrostatic Discharge(ESD)	150	V
Operating Temperature Range	-30°C to + 80°C	
Storage Temperature Range	-40°C to + 100°C	
Soldering Temperature	260°C for 5 Seconds	

Electrical / Optical Characteristics at TA=25°C

Parameter	Symbol	Min.	Typ.	Max.	Unit	Test Condition
Luminous Intensity	IV	4900	11000		mcd	IF = 20mA
Viewing Angle	2θ 1/2		25		deg	IF = 20mA
Peak Emission Wavelength	λ P		468		nm	IF = 20mA
Dominant Wavelength	λ d	460	470	480	nm	IF = 20mA
Spectral Line Half-Width	Δ λ		25		nm	IF = 20mA
Forward Voltage	VF		3.5	4.0	V	IF = 20mA
Reverse Current	IR			50	μ A	VR = 5V

TYPICAL ELECTRON-OPTICAL CHARACTERISTIC CURVES 25°C Free Air Temperature Unless Otherwise Specified

