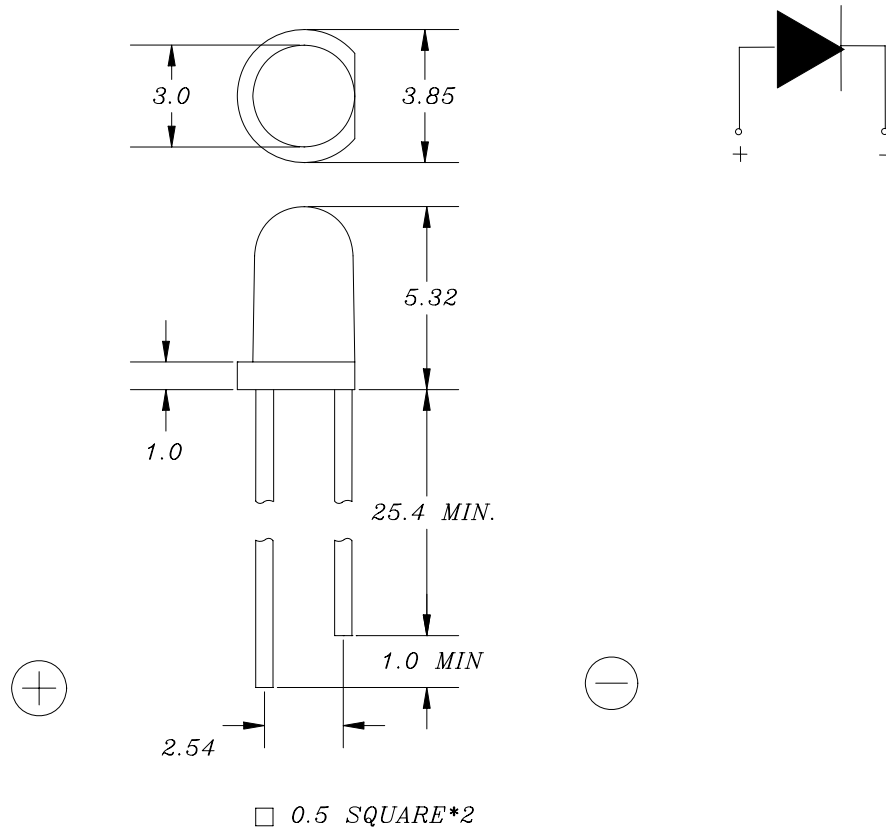


SPECIFICATION FOR APPROVAL

Part No. : YLR-030UR40-4009B-LL

Package Dimensions



Part NO.	Chip Material	Lens Color	Emission Color
YLR-030UR40-4009B-LL	AlGaInP	Water Clear	Super Bright Red

Notes:

1. All dimensions are in millimeters (inches).
2. Tolerance is $\pm 0.25\text{mm}(.010\text{'})$ unless otherwise noted.
3. Protruded resin under flange is $1.0\text{mm}(.04\text{'})$ max.
4. Lead spacing is measured where the leads emerge from the package.
5. Specifications are subject to change without notice.
6. HBM, Human Body Model; Seller gives no other assurances regarding the ability of products to withstand ESD.

Caution in ESD:

Static Electricity and surge damages the LED. It is recommend to us a wrist band or anti-electrostatic glove when handing the LED. All devices, equipment and machinery must be properly grounded.

SPECIFICATION FOR APPROVAL

Part No. : YLR-030UR40-4009B-LL

Absolute Maximum Ratings at TA=25°C

Parameter	Maximum Rating	Unit
Power Dissipation	90	mW
Peak Forward Current (1/10 Duty Cycle, 0.1ms Pulse Width)	100	mA
Continuous Forward Current	35	mA
Reverse Voltage	5	V
Operating Temperature Range	-30°C to + 80°C	
Storage Temperature Range	-40°C to + 100°C	
Soldering Temperature	280°C for 5 Seconds	

Electrical / Optical Characteristics at TA=25°C

Parameter	Symbol	Min.	Typ.	Max.	Unit	Test Condition
Luminous Intensity	IV	1000	2000		mcd	IF = 20mA
Viewing Angle	2θ 1/2		25		deg	IF = 20mA
Peak Emission Wavelength	λ P		630		nm	IF = 20mA
Dominant Wavelength	λ d	620	620	630	nm	IF = 20mA
Spectral Line Half-Width	Δ λ		20		nm	IF = 20mA
Forward Voltage	VF		2.05	2.6	V	IF = 20mA
Reverse Current	IR			10	μ A	VR = 5V

TYPICAL ELECTRON-OPTICAL CHARACTERISTIC CURVES 25°C Free Air Temperature Unless Otherwise Specified

