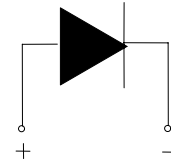
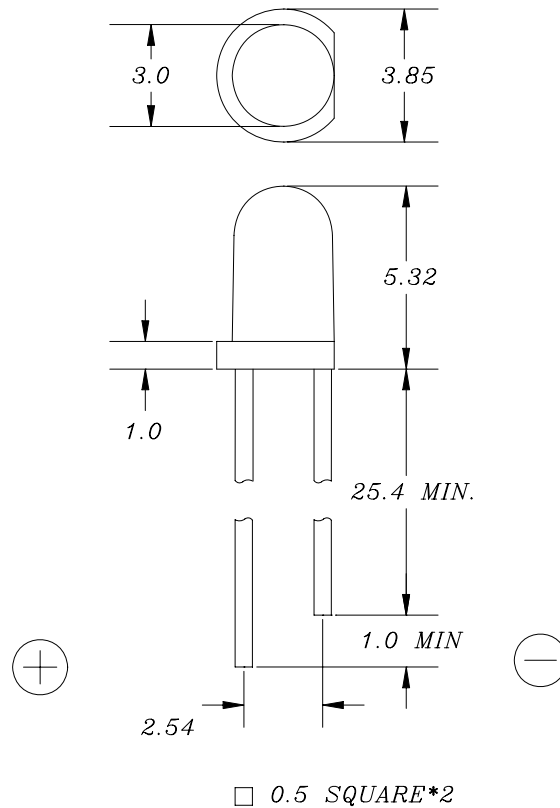


## SPECIFICATION FOR APPROVAL

Part No. : YLR-030UA40-4026A-LL

### Package Dimensions



Part NO.	Chip Material	Lens Color	Emission Color
YLR-030UA40-4026A-LL	AlGaInP	Water Clear	Super Bright Amber

#### Notes:

1. All dimensions are in millimeters (inches).
2. Tolerance is  $\pm 0.25\text{mm}(.010\text{'})$  unless otherwise noted.
3. Protruded resin under flange is  $1.0\text{mm}(.04\text{'})$  max.
4. Lead spacing is measured where the leads emerge from the package.
5. Specifications are subject to change without notice.

## SPECIFICATION FOR APPROVAL

Part No. : YLR-030UA40-4026A-LL

### Absolute Maximum Ratings at TA=25°C

Parameter	Maximum Rating	Unit
Power Dissipation	90	mW
Peak Forward Current (1/10 Duty Cycle, 0.1ms Pulse Width)	100	mA
Continuous Forward Current	35	mA
Reverse Voltage	5	V
Operating Temperature Range	-30°C to + 80°C	
Storage Temperature Range	-40°C to + 100°C	
Soldering Temperature[4mm(.157") From Body]	280°C for 5 Seconds	
Reflow Soldering	NO	

### Electrical / Optical Characteristics at TA=25°C

Parameter	Symbol	Min.	Typ.	Max.	Unit	Test Condition
Luminous Intensity	IV	2200	5500		mcd	IF = 20mA
Viewing Angle	2θ 1/2		12		deg	IF = 20mA
Peak Emission Wavelength	λ P		605		nm	IF = 20mA
Dominant Wavelength	λ d	600	605	610	nm	IF = 20mA
Spectral Line Half-Width	Δ λ		20		nm	IF = 20mA
Forward Voltage	VF		2.0	2.5	V	IF = 20mA
Reverse Current	IR			50	μ A	VR = 5V

### TYPICAL ELECTRON-OPTICAL CHARACTERISTIC CURVES 25°C Free Air Temperature Unless Otherwise Specified

