

NEW!



Product Specifications

Model number	YL-SFL8.3W
Power consumption	8.3 W
Instrument light flux	820 lm
Color temperature	5,000K
Waterproof performance	IP44
Light source lifetime	60,000 h
Size	117 × 85 mm
Weight	0.65 kg

Properties

Installation interval
At 18 meters
Class B +

Suppression of glare
LED
Distributed arrangement

Thin and lightweight
0.65 kg

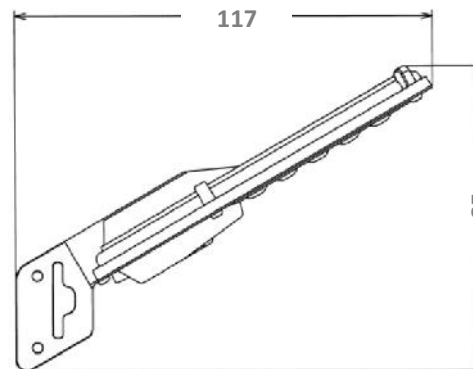
High power
820 lm

Good visibility
5000 K

Existing band
Available

Long life
60,000h

Mounting dimensions



Illumination distribution simulation

