

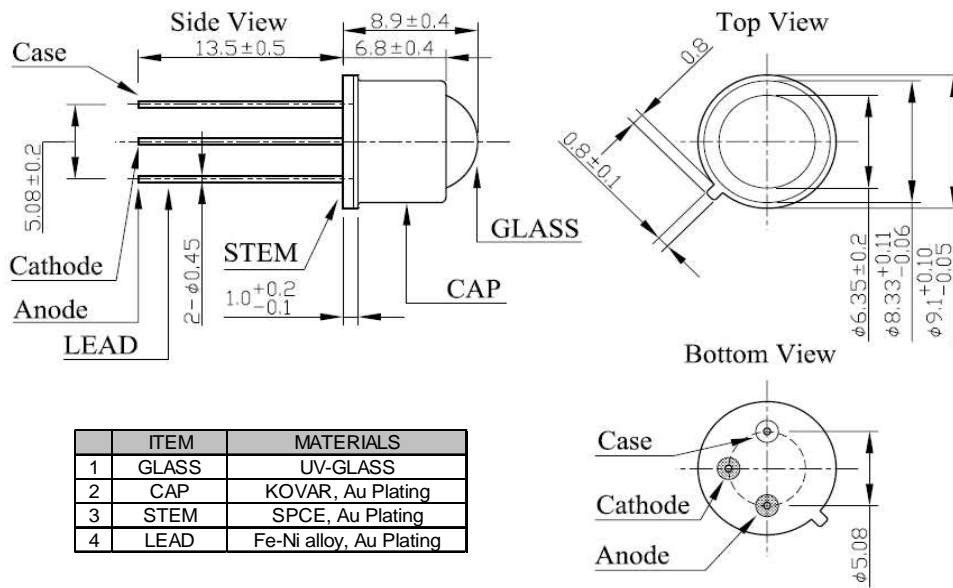
# MODEL YL-Ø9T05H(3R)-xxxnM series

## T05 Hemispherical Can Type

### Mechanical Specifications and Materials (Unit: mm)

#### Part Number

- 265nm: YL-09T05H(3R)-265nM
- 280nm: YL-09T05H(3R)-280nM
- 310nm: YL-09T05H(3R)-310nM
- 325nm: YL-09T05H(3R)-325nM
- 340nm: YL-09T05H(3R)-340nM



### Typical Optical-Electrical Characteristics (I<sub>F</sub>=20mA, T<sub>a</sub>=25°C)

Item	Symbol	Unit	265nm	280nm	310nm	325nm	340nm
Peak Wavelength	λ <sub>p</sub>	nm	265±5	280±10	310±5	325±5	340±5
Radiant Flux	P <sub>o</sub>	mW	0.5	0.6	0.9	0.9	0.7
Full Width at Half Maximum	Δλ	nm	10	10	10	9	9
Forward Voltage	V <sub>F</sub>	V	10.0	7.0	6.5	5.0	4.0
Response*	rise time	tr	ns	-	16	20	12
	fall time	tf	ns	-	8	9	8
Viewing Half Angle	2θ <sub>1/2</sub>	deg.	4	4	4	4	4

\*Test condition : Frequency=100kHz, duty=1%, I<sub>fp</sub>=200mA

### Absolute Maximum Ratings

Item	Symbol	Unit	Ambient Temperature	
Forward Current	I <sub>Fmax</sub>	mA	40	T <sub>a</sub> =25°C
Operating Temperature	T <sub>OPR</sub>	°C	-30 ~ +80	
Storage Temperature	T <sub>STG</sub>	°C	-40 ~ +100	
Soldering Temperature	T <sub>SOL</sub>	°C	300	(within 5sec)



