

General

1.1 Material list

Part name	material	Part name	material
Holder	POM	Glass	Quartz
LED	-	Gasket	Silicon gomme
Heat sink	Aluminium	M27 Nut	POM
Screw	304 inox		

1.2 Size

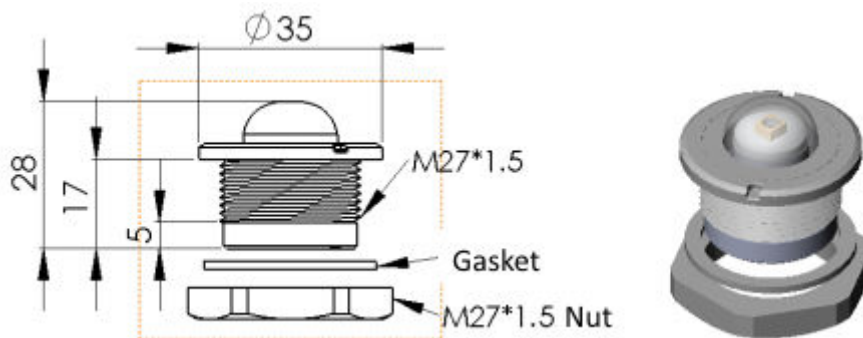


Fig 1. outer size of UVC sterilization module

2. Specification:

- Sterilization rate up to 99%¹;
- Under normal operation condition, module lifetime up to 3,000 hours²
- DC 24V power supply
- Stand by current: < 0.1 uA

¹ Sterilization rate calculated by use of Escherichia coli before and after apply the module;

² IESNA LM70, 70% UVC irradiation residue

- RoHS compliance
- IP68 water proof³

UVC LED specificaiton

Parameter	Symbol	Min	Typ	Max	Test Condition	Unit
Peak wavelength	λ_p	275	—	280	I _F = 50mA	nm
Radiant Flux	Φ_e	2	3	—		mW
Radiant Irradiance	E _e	—	0.8	—		mW/cm ²
Forward Voltage	V _F	—	8	10		V
Spectra half-width	$\Delta\lambda$	—	15	—		nm

3. Example applicaiton

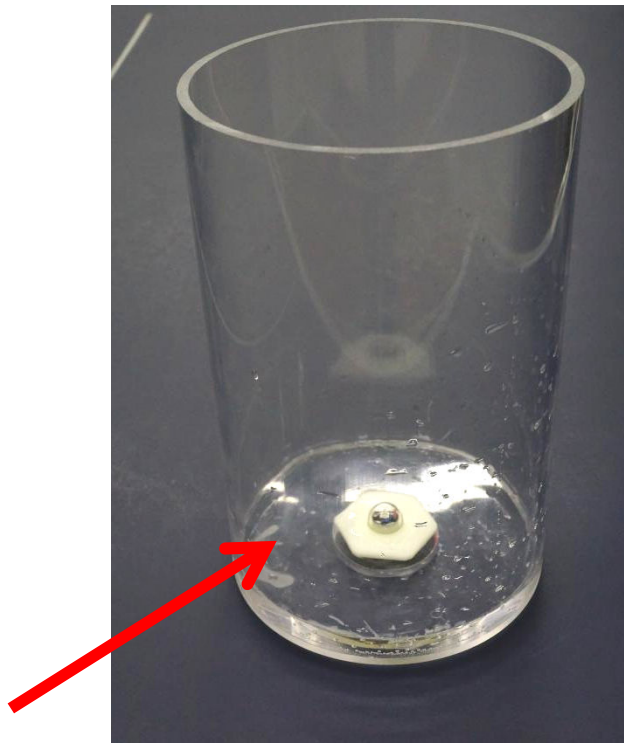


Fig 2. UVC sterilization application for a 150x300mm water tank

³ Reference the IEC60529/GB4208 standard method.

4. Third part testing report about sterilization efficiency

广东省微生物分析检测中心
GUANGDONG DETECTION CENTER OF MICROBIOLOGY
分析检测结果
ANALYSIS AND TEST RESULT

报告编号 (Report No.): 2017FM05955R01

1.水量:4L
2.测试时间: 30min
3.测试结果:

试验菌株	试验组别	对照组平均菌落数 (cfu/mL)	试验组平均菌落数 (cfu/mL)	杀菌率(%)
大肠杆菌 (<i>Escherichia coli</i>) 8099	1	1.9×10^7	24	98.74
	2	1.8×10^7	22	98.78
	3	1.9×10^7	27	98.58
	平均值			98.70

样品图片
Sample Picture

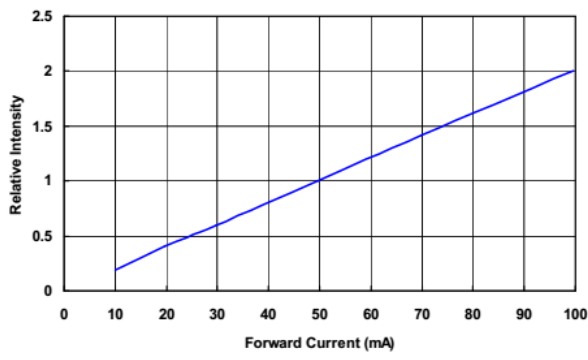
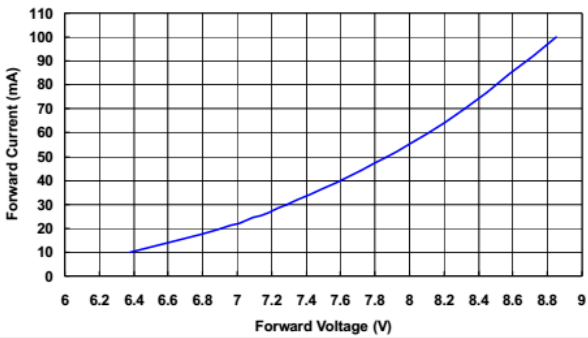


(以下空白)

分析
专用

5. Other useful information

-



-

