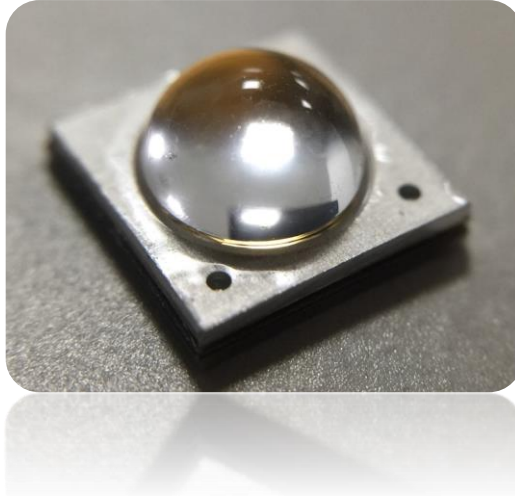


6868 UVC LED (200mW)



Features

- Super High power 200mW UVC
- Outline 60D : 6.8*6.8*3.7mm

Applications

- Disinfection / Sterilization
- Bio-Analysis / Detection
- Fluorescent Spectroscopy, Sensor Light

6868 UVC LED (200mW)

■ Maximum rating (Ta : 25°C)

Characteristics	Symbol	Min.	Typical	Max.	Unit
DC Forward Current¹	I _F	---	---	700	mA
Pulse Current(@1/10 duty)²	I _p	---	---	TBD	mA
Forward Voltage	V _F	10	---	17	V
Reverse Voltage	V _R	---	---	5	V
Power Dissipation	PD	---	---	11.2	W
Junction Temperature³	T _j	---	85	---	°C
Storage Temperature Range	T _{sto}	-40	-	85	°C
Soldering Temperature	T _{sol}		---	245	°C
Thermal Resistance Junction / Solder Point	R _{th}	---	10	---	°C/W
Beam Angle	2θ _{1/2}	---	60	---	Deg

Notes:

1. For other ambient, limited setting of current will depend on de-rating curves.
2. D=0.01s duty 1/10.
3. When drive on maximum current , T_j must be kept below 85°C.
4. Viewing angle (2θ_{1/2}) ± 10°.

6868 UVC LED (200mW)

■ Product List

Peak Wavelength Range	Beam Angle	Part Number
250~260nm	60°	
260~270nm	60°	
270~285nm	60°	

◇ Notes :

1. Tolerance of Forward voltage (V_F) $\pm 0.4V$
2. Tolerance of Radiometric Power (P_o) $\pm 10\%$
3. Tolerance of Wavelength $\pm 2.5nm$
4. $T_j=25^\circ C$

■ Peak-Wavelength Binning

Peak Wavelength		unit: nm@350mA
Bin Code	Min	Max
UVC-1	250	260
UVC-2	260	270
UVC-3	270	285

◇ Notes:

1. Binning current is 350mA
2. Tolerance of Radiometric Power (P_o) $\pm 10\%$
3. Tolerance of Wavelength $\pm 2.5nm$
4. $T_j=25^\circ C$

6868 UVC LED (200mW)

■ Voltage binning

Voltage				unit: mw@350mA
Peak Wavelength	Bin Code	Min	Max	
250~260nm	V1	10	16	
260~270nm	V1	10	16	
270~285nm	V1	10	16	

◇ Notes:

1. Binning current is 350mA
2. Voltage tolerance $\pm 0.4V$

■ Radiant flux (Power) binning

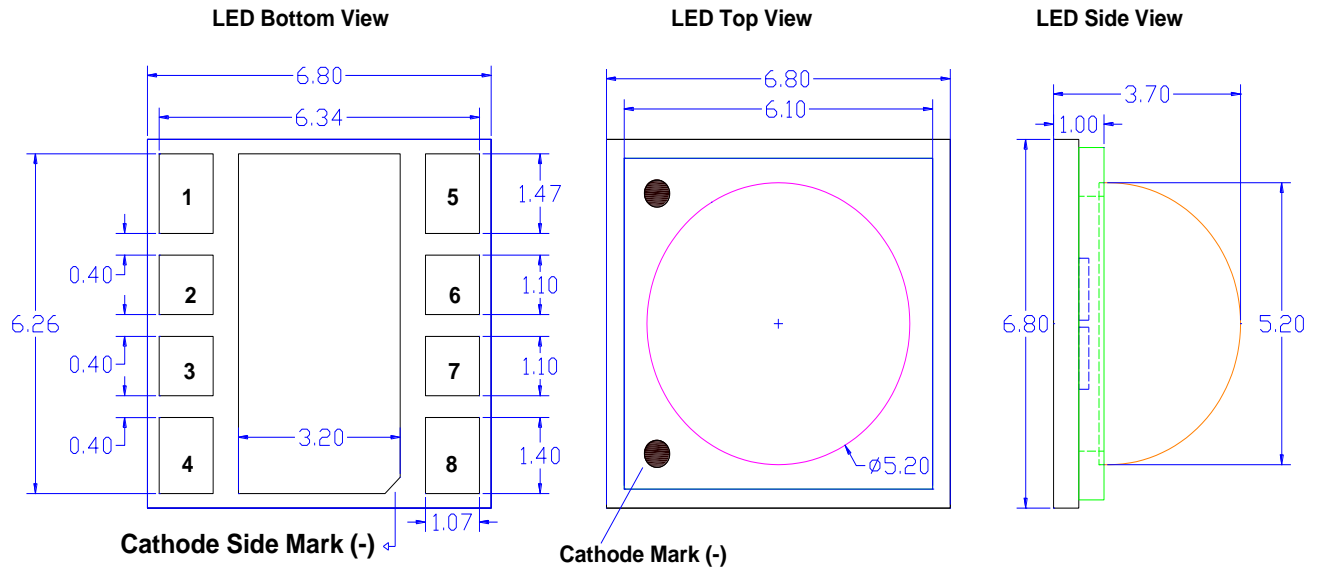
Radiant flux (Power)				unit: mw@350mA
Peak Wavelength	Min	Typ	Max	
250~260nm	120	160	200	
260~270nm	120	170	200	
270~285nm	140	200	220	

◇ Notes:

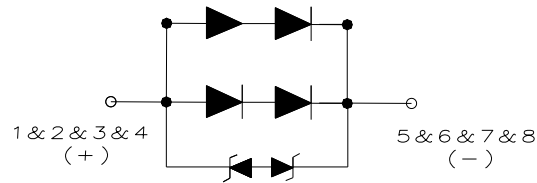
1. Binning current is 350mA
2. Power tolerance $\pm 10\%$
3. $T_j=25^\circ C$

6868 UVC LED (200mW)

■ Dimensions



■ Circuit

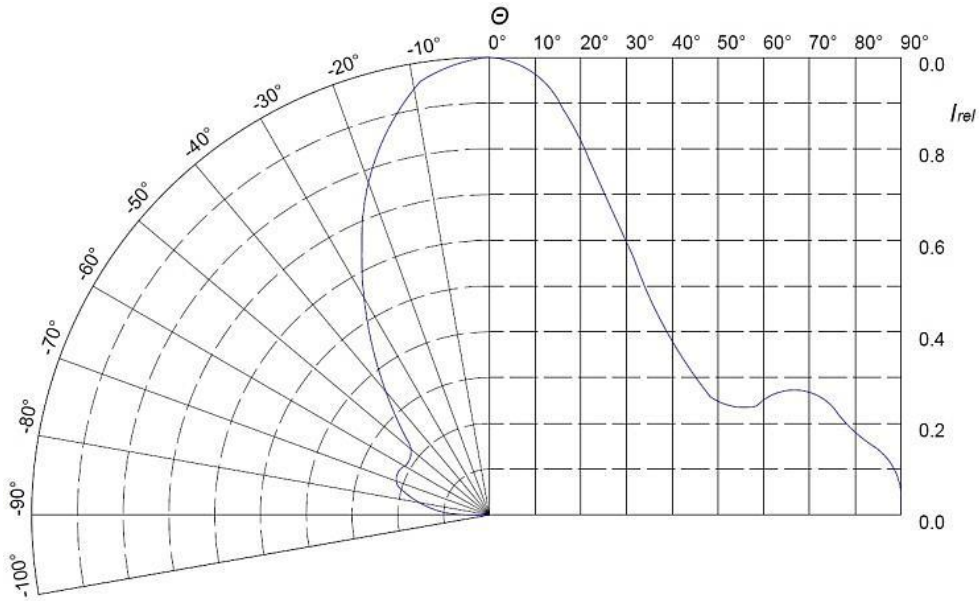


◇ Notes:

1. All dimensions are in millimeters.
2. Tolerance is $\pm 0.13\text{mm}$ unless other specified.

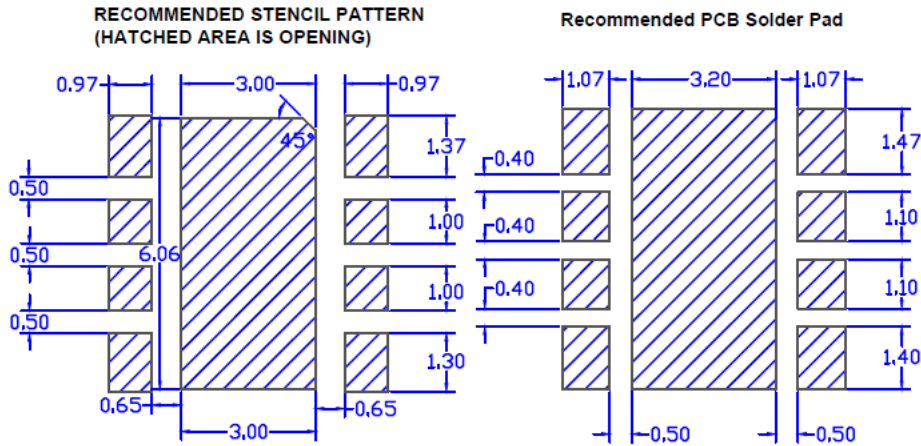
6868 UVC LED (200mW)

■ Typical Spatial Distribution



6868 UVC LED (200mW)

■ Suggest Stencil Pattern

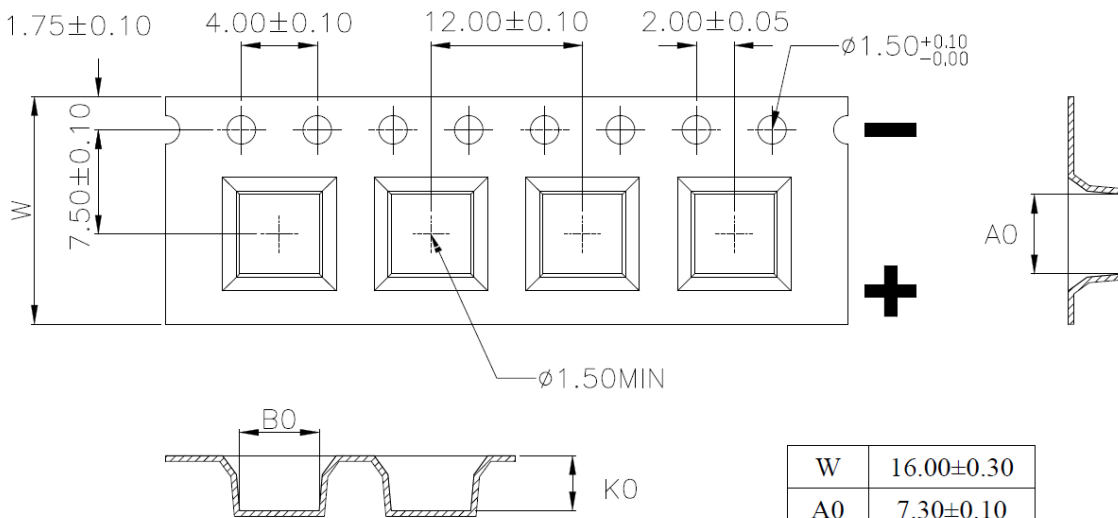


§ Suggest stencil t =0.12 mm

§ All dimensions are in millimeters.

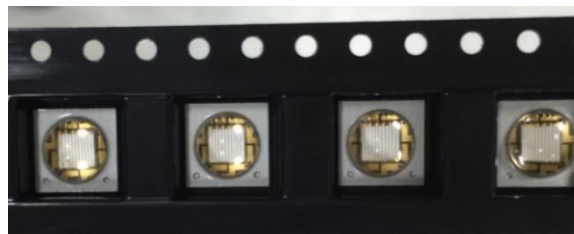
§ Tolerance is $\pm 0.13\text{mm}$ unless other specified.

■ Packing

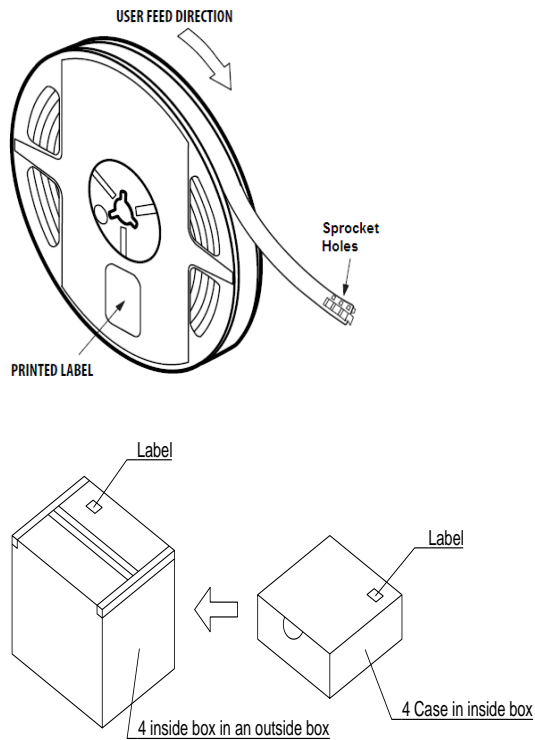


W	16.00±0.30
A0	7.30±0.10
B0	7.30±0.10
K0	4.30±0.10

1. 10 sprocket hole pitch cumulative tolerance ± 0.20 .
2. Carrier camber is within 1 mm in 250 mm.
3. Material : Black Conductive Polystyrene Alloy.
4. All dimensions meet EIA-481-D requirements.
5. Thickness : $0.30 \pm 0.05\text{mm}$.
6. Packing length per 22 " reel : 45.5Meters(1:3), 22" reel : 240.0Meters(1:16) W=105.
7. Component load per 13" reel : minimum 100 pcs and maximum 350 pcs



6868 UVC LED (200mW)



Notes:

1. Each Reel (minimum 100 pcs and maximum 350 pcs) is packed in a moisture-proof bag along with 2 packs of desiccant and a humidity indicator card;
2. A maximum of 5 moisture-proof bags are packed in an inner box (size: 240mm x 200mm x 105mm \pm 5mm).
3. A maximum of 4 inner boxes are put in an outer box (size: 410mm x 255mm x 230mm \pm 5mm).
4. Part No., Lot No., quantity should be indicated on the label of the moisture-proof bag and the cardboard box.