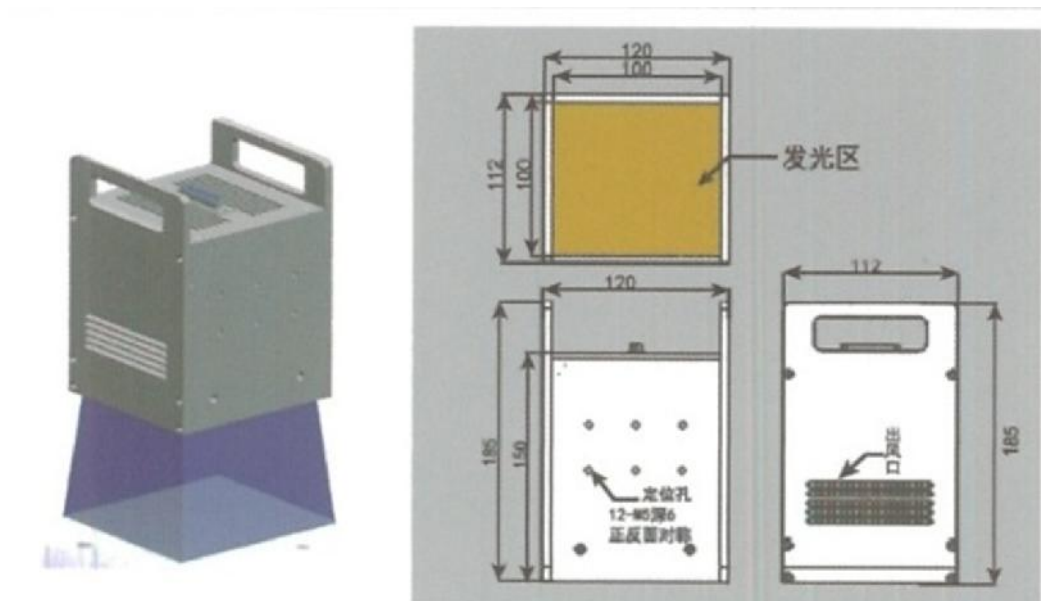


UV LED Curing System



General Characteristics

Model Number	Emitting area [mm]	Peak Wavelength P[nm]	Intensity [W/cm ²]	Cooling
YL-UCS-100*100	100*100	365/385/395/405	0.6-4	Fan / Water
YL-UCS-100*200	100*200	365/385/395/405	0.6-4	Fan / Water
YL-UCS-50*200	50*200	365/385/395/405	0.6-4	Fan / Water
YL-UCS-L50	50*(3-10)	365/385/395/405	0.6-4	Water
YL-UCS-L100	100*(3-10)	365/385/395/405	0.6-4	Water
YL-UCS-P3/5/8/10	3/5/8/10	365/385/395/405	0.6-4	Water