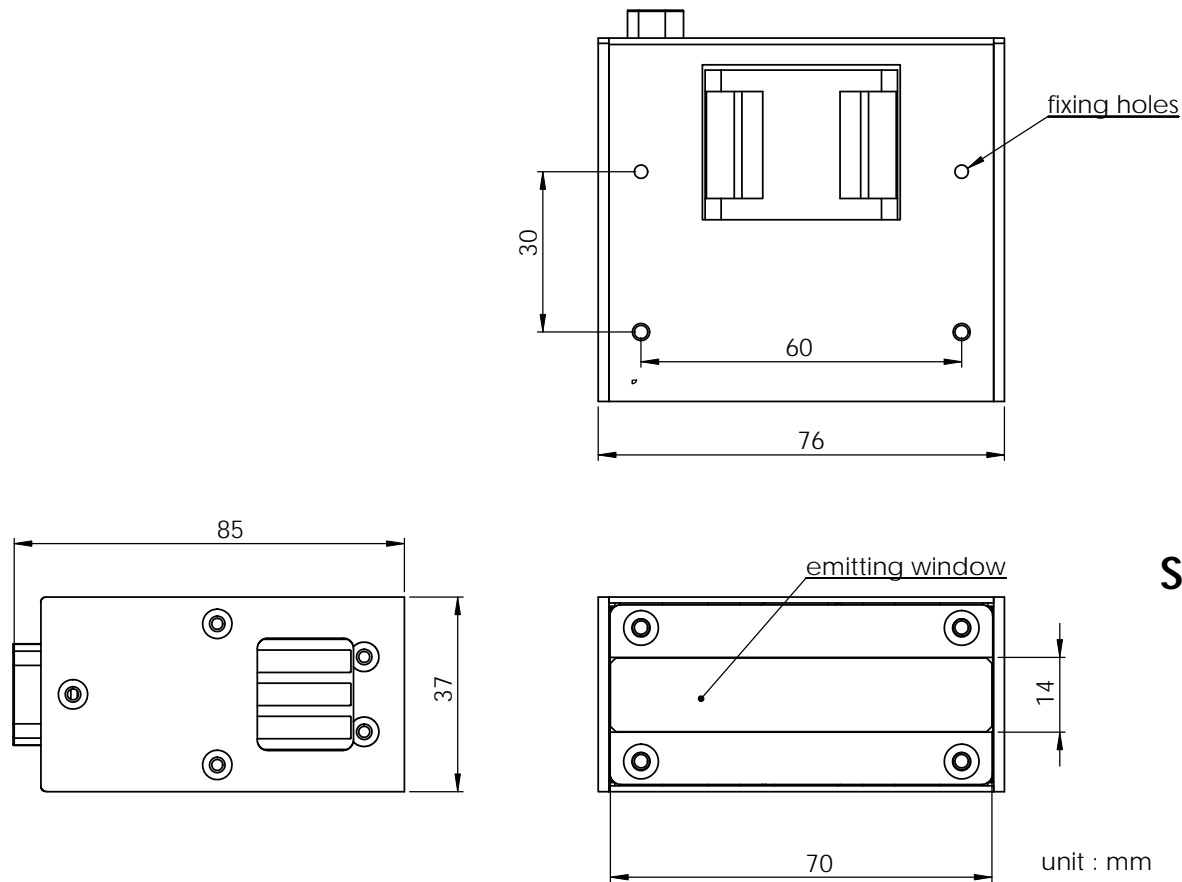


Micro UV LED Curing System



Model Number	Peak Wavelength P[nM]	Intensity [W/cm ²]	Radiant Flux Po [mW]
YL-UCS-365nM(B)	365nM	2W/cm ²	4800mW
YL-UCS-395nM(B)	395nM	4W/cm ²	12000mW
YL-UCS-405nM(B)	405nM	6W/cm ²	19200mW

Forward Voltage Vf[V] :	AC 90-256V , 50-60Hz
Forward Current If[mA]	
Number of UV LEDs :	24 Pieces
Power Consumption :	100 Watt
Irradiation Window :	70 mm x 14 mm
Cooling system :	Forced Air Cooling(Single Fan intake)
Controlling :	Dimmable Control (PWM)
Dimensions :	76mm(L) x 37mm(W) x 85mm(H)
Operation	
Temperature :	Under 45°C (Ta = 25°C)
Net Weight :	350g ±10g
Applications :	Inkjet Printing, Varnish Curing,



Spec Notes:

Weight : 350g

Dimming Control

Overheat protection

Driver board & Adapter included