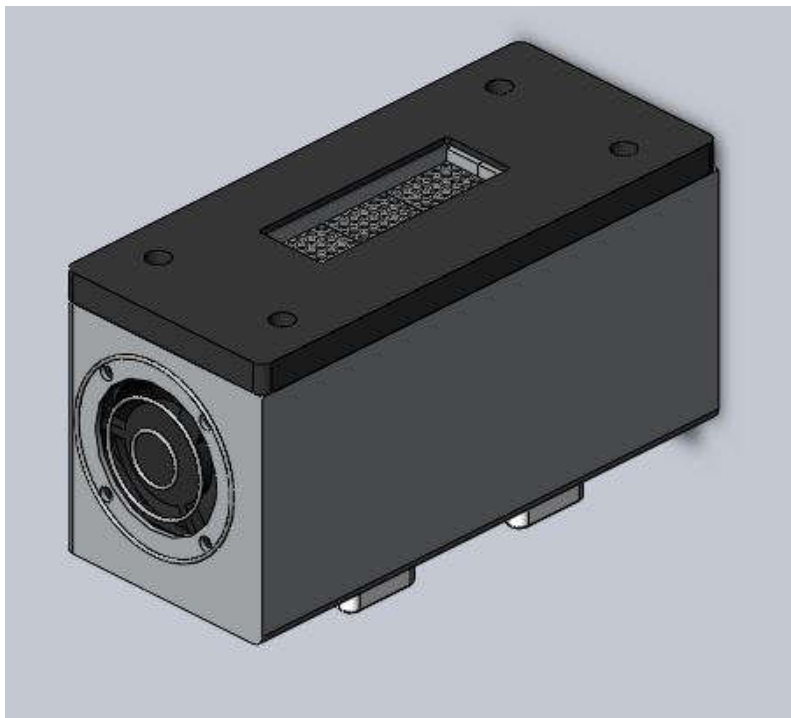
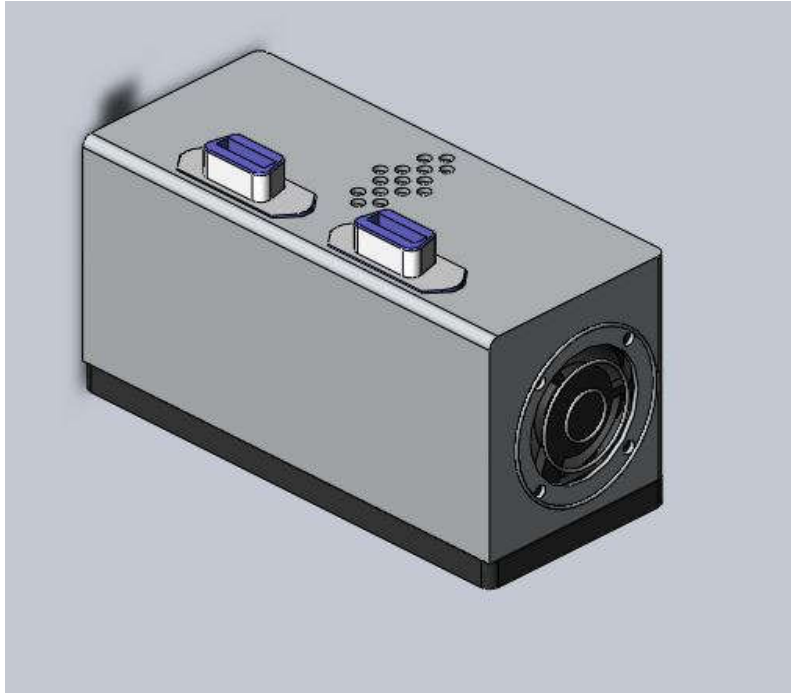


## LED Curing (395nm)

Outlooks



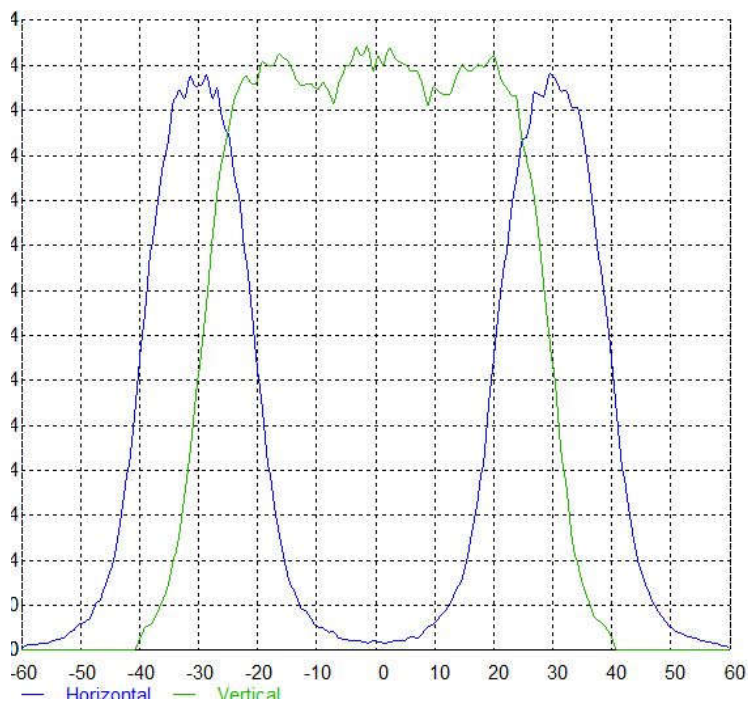
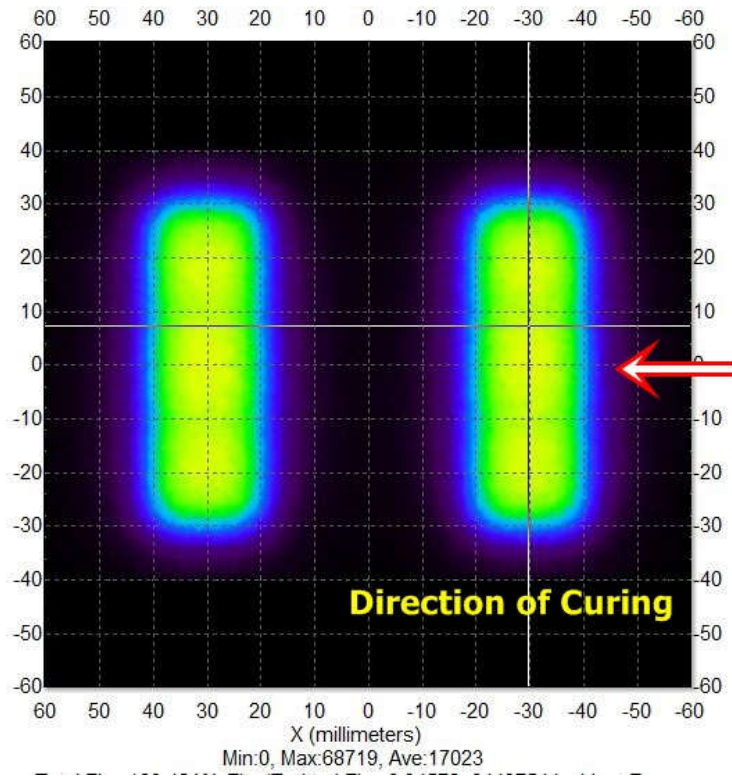
Dimensions : 150(L) x 65(W) x 75(H) mm for One curing head

Air cooling

Overheat protection

Dimming Control

Irradiation Pattern



Output Intensity ; 15W/cm<sup>2</sup> (less than 10mm distance)

Effective Area : 50mm x 20mm for one curing head

Two curing heads included for one set