

UV LED module

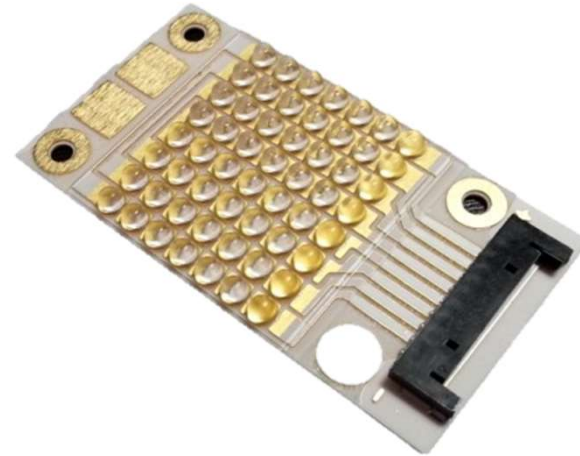
Outline

- UV LED specification
- Lamp module brief introduction
- Power system

UV LED

UV LED

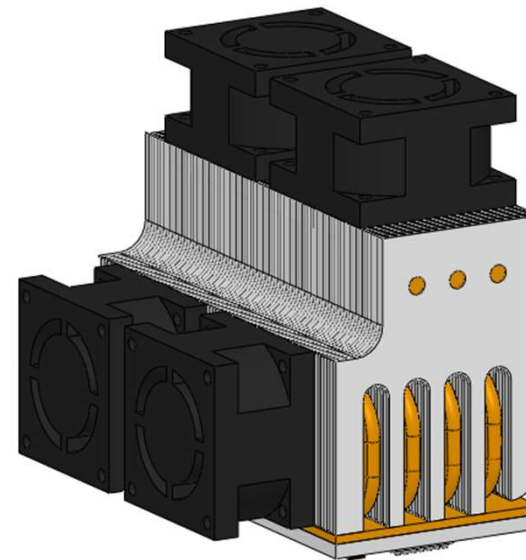
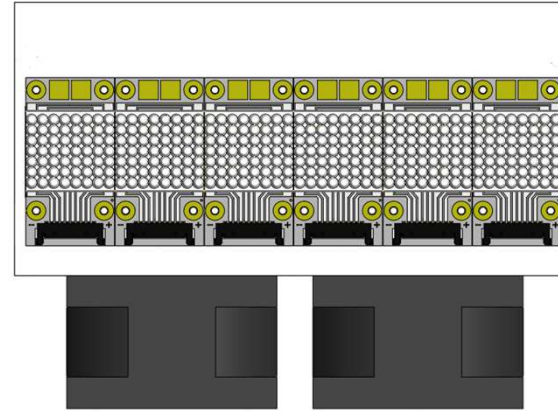
- LED : YL-12X4MD UV COB
- Wavelength : 390~400 nm
- Irradiance : 10~16 W/cm²@0 mm distance
- Driving current : 2.8A
- Driving voltage : 38~42V



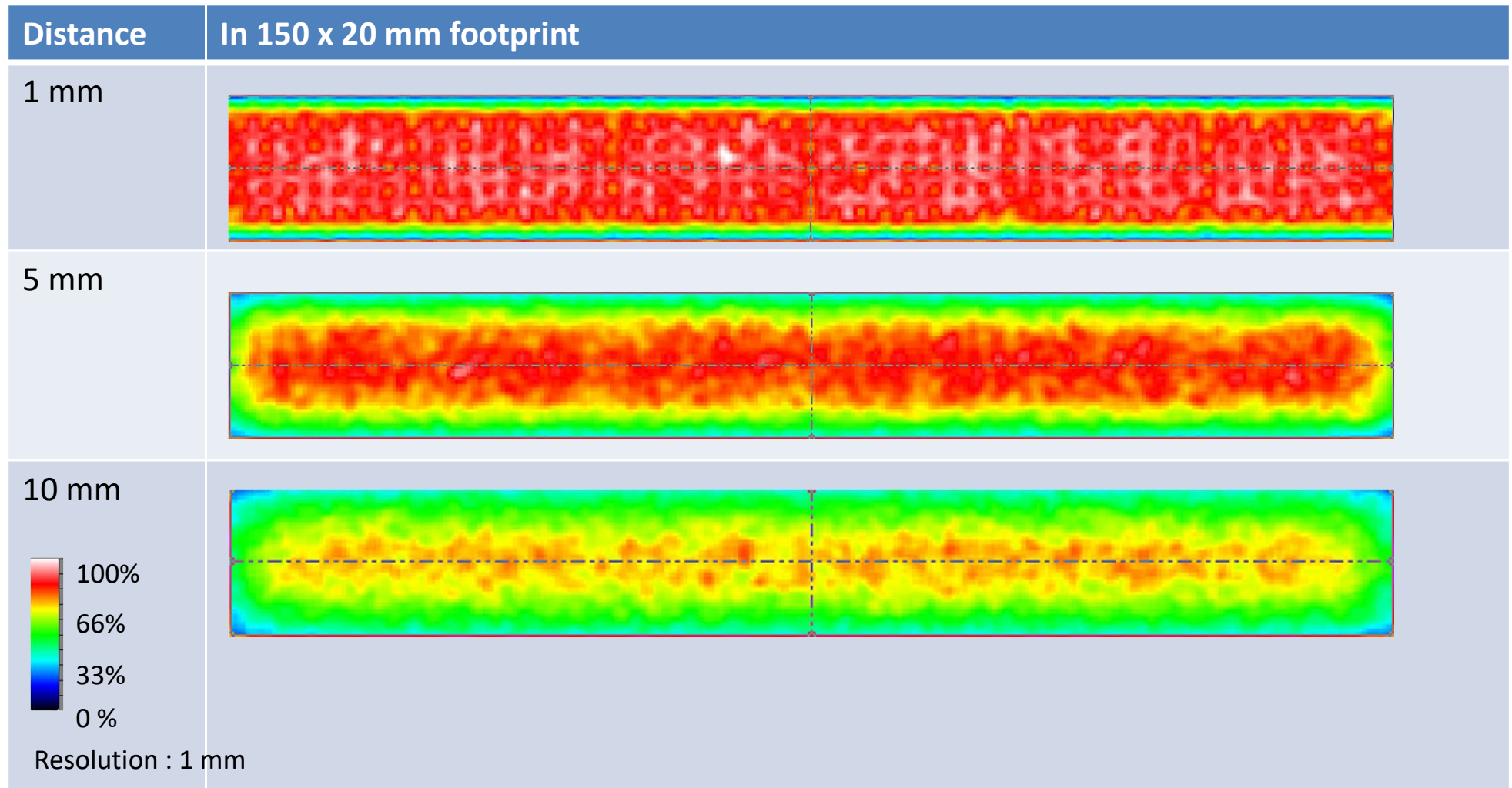
UV LED module

UV LED module

- LED : YL-12X4MD x 6 pcs
- Emitting areas : 150 x 20 mm
- LED Power consumption : Max. 680 W
- Cooler : Air cooling
- Input voltage for LED : DC 38~42V
- Input current for LED : Max. 16.8A
- Input voltage for fan : DC 12V
- Size : (L)160 x (W)120 x (H)150 mm



Light distribution at 1/5/10 mm distance



Power System (Option)

Power system for lamp

- Input voltage : AC 100~270V
- Driving : Constant current to LED by 6 channel
- Control function : On/Off (Manual or Remote)

Dimming 30~100%

Emergency stop

Over temperature stop

PLC control (option)

