

PRODUCT FEATURES

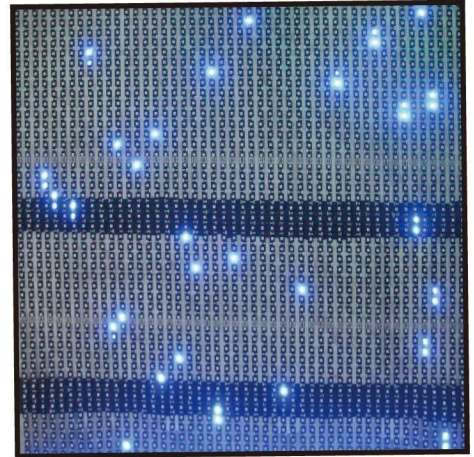
- Each piece LED is full color
- Soft material suit for any shape
- Cutting-edge design for higher transparency
- Lightweight designed for touring
- Low cost large area video display
- Dynamic color demonstration
- Video control interface

APPLICATION

- Architectural spaces
- Exhibition
- TV stage sets
- Concerts

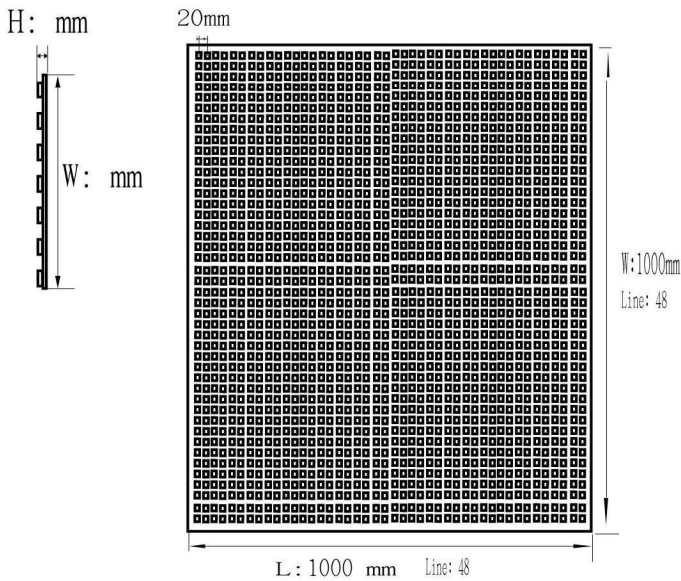
Certificate:

CE RoHS IP65

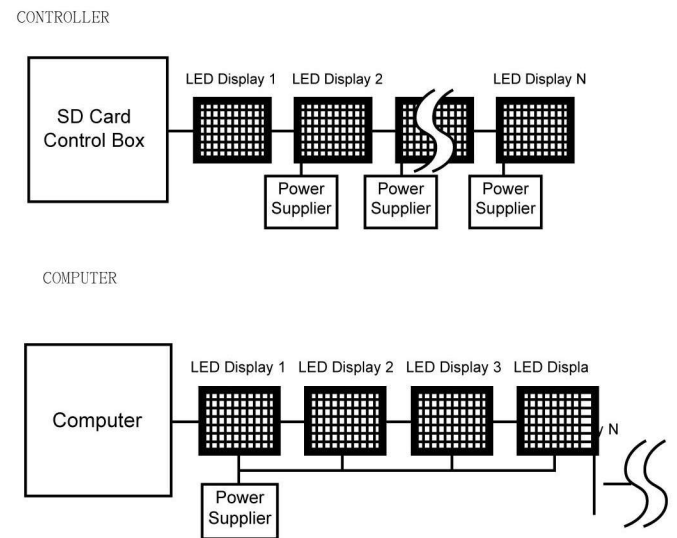


PRODUCT SPECIFICATIONS

Model number	Model	Pixel pitch (mm)	Pixel	Applied voltage	Power consumption	Brightness (lm)	View angle	Weight (Kg)	Dimensions(mm) L x W	Operating temperature	Lift time (Brightness declined)	Waterproof
APA-PP20-48X48	Indoor Outdoor	20	2304	5VDC	461W MAX	16128	H:160	1.15	1000X1000	-20°C~50°C	100000hrs	Yes



SIGNAL CONNECTION DIAGRAM



CONTROLLER SELECTION

Model number	Controller type	Maximum pixels quantity / per controller
APA- 4096 DMX	RC Control & SD Card	4096 Pixels
APA801RA	Sub-Controller with Computer or Main controller	3072 Pixels
APA802TB	Main Controller & SD Card	30720 Pixels
APA803TC	Main Controller - DMX & SD Card	122880 Pixels