



SURFACE MOUNT LED TAPE AND REEL



Lead-Free Parts

LRGB9553-6-SB-NE

DATA SHEET

DOC. NO : QW0905-LRGB9553-6-SB-NE

REV. : B

DATE : 01 - Jul. - 2019



Features:

1. Top view LED.
2. white SMT package.
3. Leadframe package with individual 6 pin.
4. Wide viewing angle.
5. Soldering methods: IR reflow soldering.
6. Feature of the device: more light due to higher optical efficiency; extremely wide viewing angle; ideal for backlighting and coupling in light guide.

Descriptions:

The 9553 SMD has wide viewing angle and optimized light coupling by inter reflector, The low current requirement makes this device ideal for portable equipment or any other application where power is at a premium.

Applications:

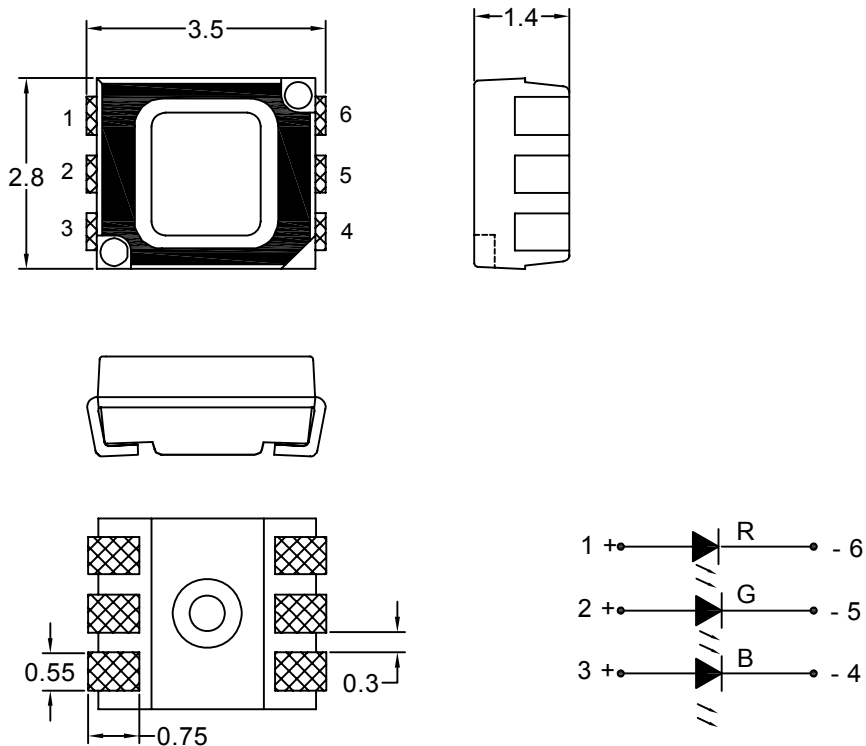
1. Indicators.
2. Detector.

Device Selection Guide:

PART NO	MATERIAL	COLOR	
		Emitted	Lens
LRGB9553-6-SB-NE	AlGaInP	Red	Water Clear
	InGaN	Green	
	InGaN	Blue	

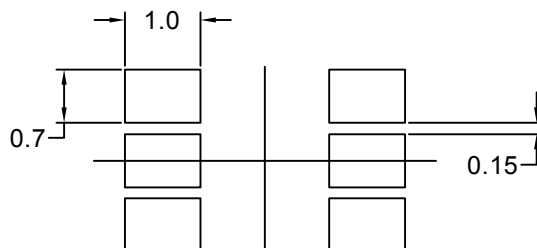


Package Dimensions



Note : 1.All dimension are in millimeter tolerance is $\pm 0.2\text{mm}$ unless otherwise noted.
2.Specifications are subject to change without notice.

Recommended Soldering Pad Dimensions



Note : The tolerances unless mentioned is $\pm 0.1\text{mm}$, Unit=mm.



Absolute Maximum Ratings at Ta=25°C

Parameter	Symbol	Ratings			UNIT
		R	G	B	
Forward Current	IF	50	30	30	mA
Peak Forward Current Duty 1/10@10KHz	IFP	90	100	100	mA
Power Dissipation	PD	130	108	105	mW
Reverse Current @5V	Ir	10	50	50	μA
Electrostatic Discharge	ESD	2000	500	500	V
Operating Temperature	Topr	- 40 ~ + 85			°C
Storage Temperature	Tstg	- 40 ~ + 100			°C

Typical Electrical & Optical Characteristics (Ta=25°C)

Items	Symbol	Min.	Typ.	Max.	UNIT	CONDITION	
Luminous Intensity	Iv	R	500	700	----	mcd	IF=20mA
		G	1000	1300	----		
		B	200	320	----		
Dominant Wavelength	λD	R	----	622	----	nm	IF=20mA
		G	----	520	----		
		B	----	465	----		
Spectral Line Half-Width	Δλ	R	----	20	----	nm	IF=20mA
		G	----	36	----		
		B	----	30	----		
Forward Voltage	VF	R	1.7	----	2.6	V	IF=20mA
		G	2.8	----	3.6		
		B	2.7	----	3.5		
Viewing Angle	2θ 1/2	R	----	120	----	deg	IF=20mA
		G	----	120	----		
		B	----	120	----		

Note : 1.The forward voltage data did not including ±0.1V testing tolerance.
 2.The luminous intensity data did not including ±15% testing tolerance.
 3.The dominant wavelength data did not including ±1nm testing tolerance



Color Cade Classification

BIN CODE		lv(mcd) at 20mA	
		Min.	Max.
R	U	500	800
	V-1	800	1000
	V-2	1000	1250

BIN CODE		lv(mcd) at 20mA	
		Min.	Max.
G	V-2	1000	1250
	W-1	1250	1600
	W-2	1600	2000

BIN CODE		lv(mcd) at 20mA	
		Min.	Max.
B	S	200	320
	T	320	500
	U	500	800



Typical Electro-Optical Characteristics Curve

R CHIP

Fig.1 Forward current vs. Forward Voltage

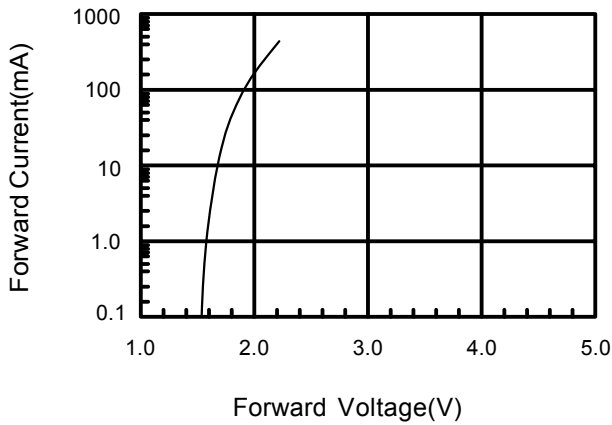


Fig.2 Relative Intensity vs. Forward Current

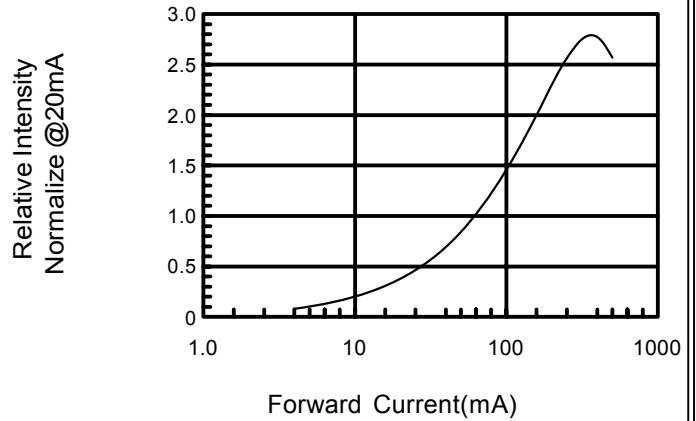


Fig.3 Forward Voltage vs. Temperature

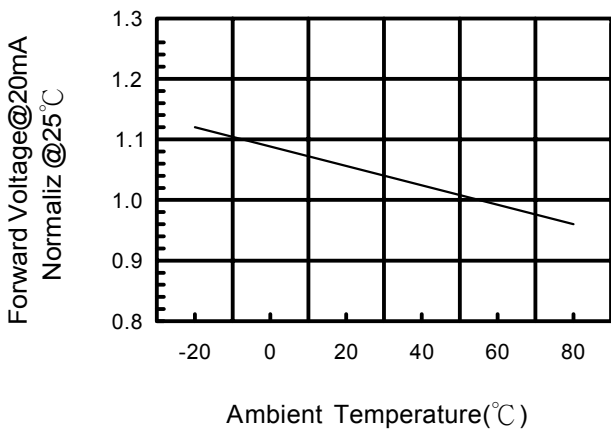


Fig.4 Relative Intensity vs. Temperature

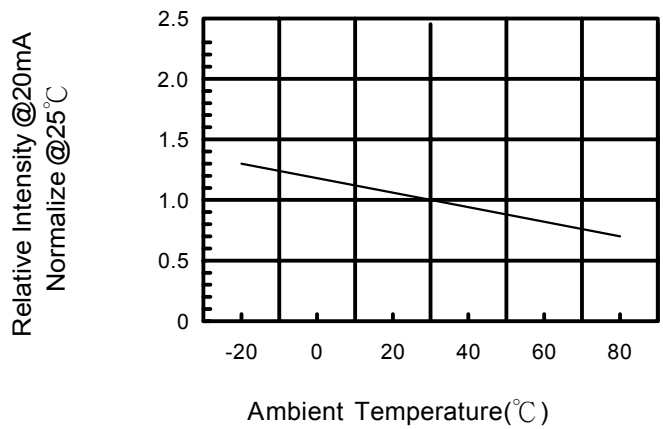


Fig.5 Relative Intensity vs. Wavelength

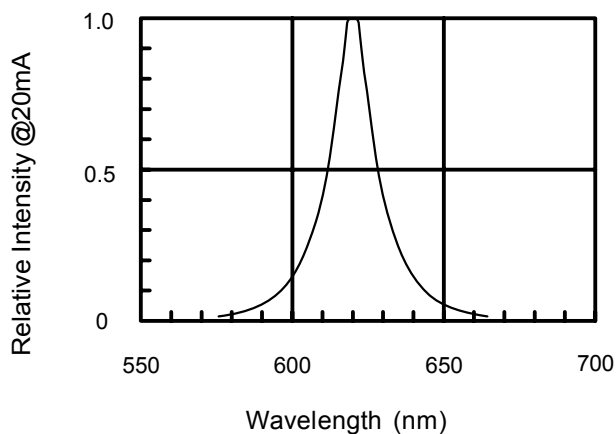
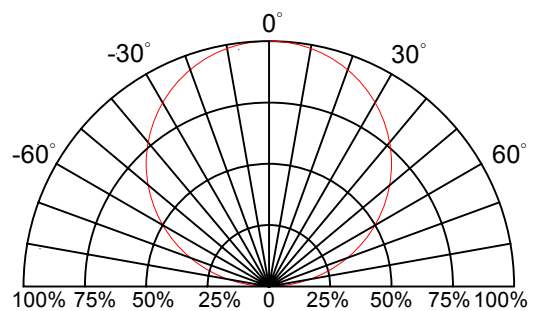


Fig.6 Directive Radiation





Typical Electro-Optical Characteristics Curve

G CHIP

Fig.1 Forward current vs. Forward Voltage

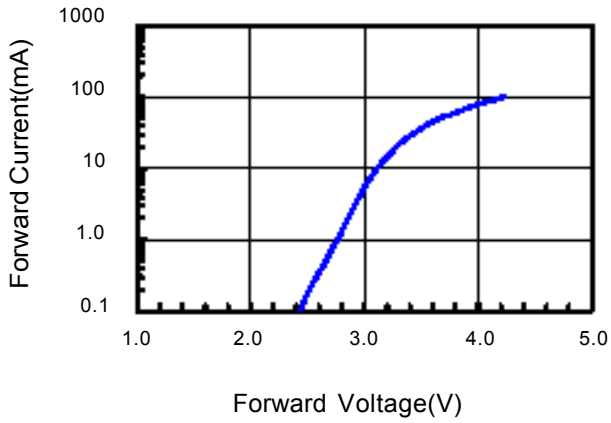


Fig.2 Relative Intensity vs. Forward Current

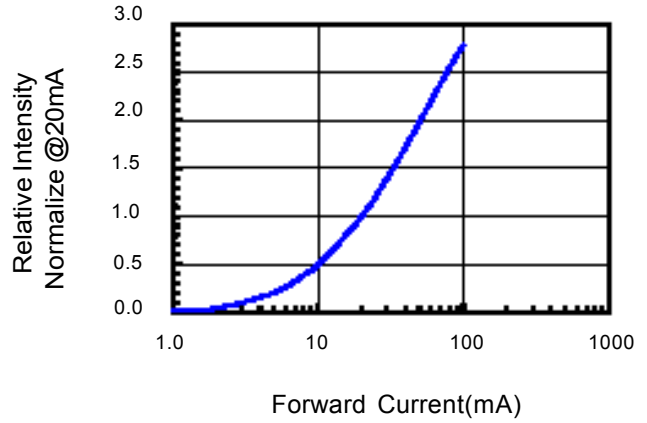


Fig.3 Forward Voltage vs. Temperature

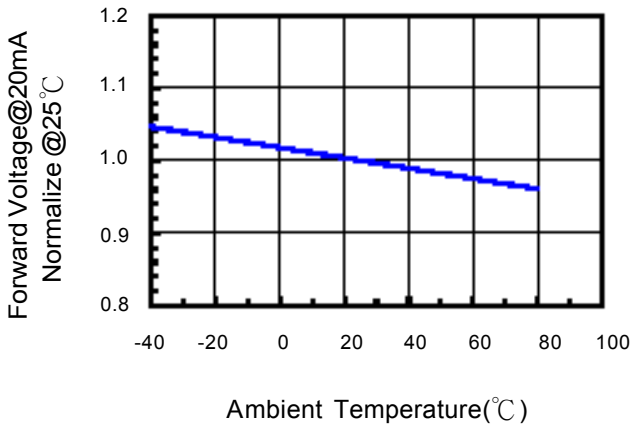


Fig.4 Relative Intensity vs. Temperature

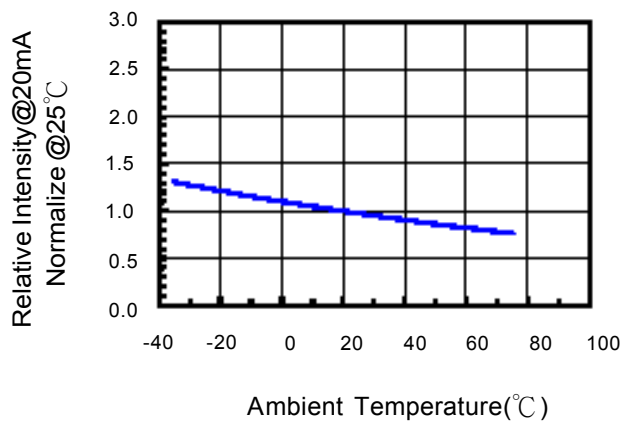


Fig.5 Relative Intensity vs. Wavelength

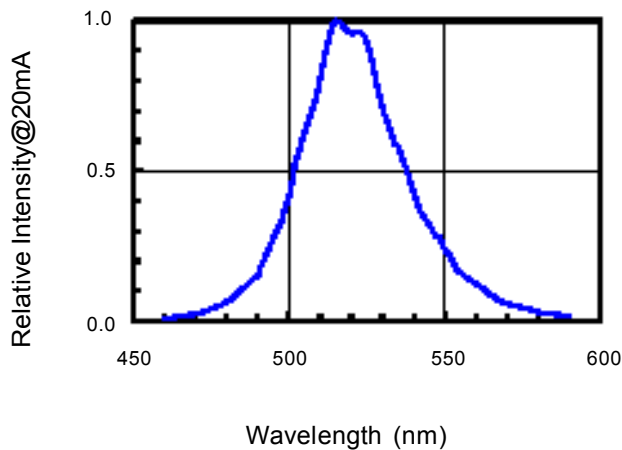
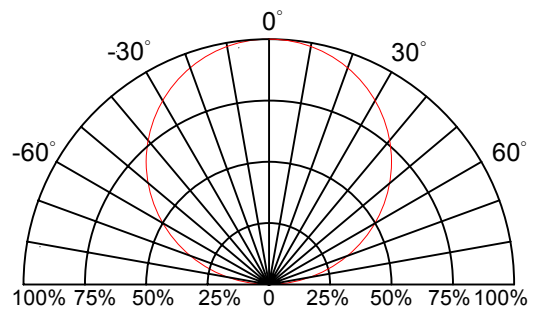


Fig.6 Directive Radiation





Typical Electro-Optical Characteristics Curve

B CHIP

Fig.1 Forward current vs. Forward Voltage

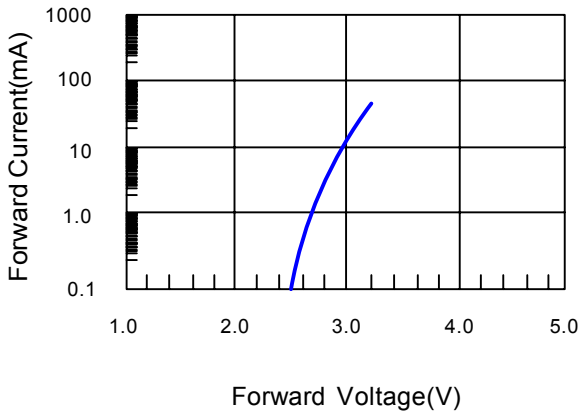


Fig.2 Relative Intensity vs. Forward Current

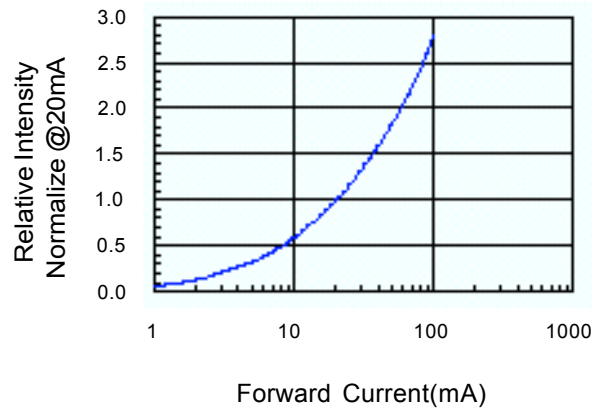


Fig.3 Forward Voltage vs. Temperature

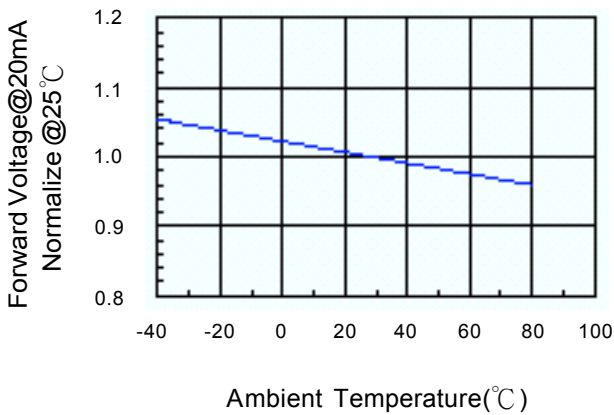


Fig.4 Relative Intensity vs. Temperature

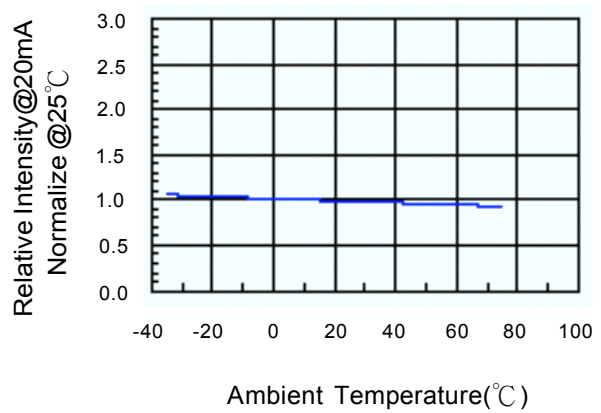


Fig.5 Relative Intensity vs. Wavelength

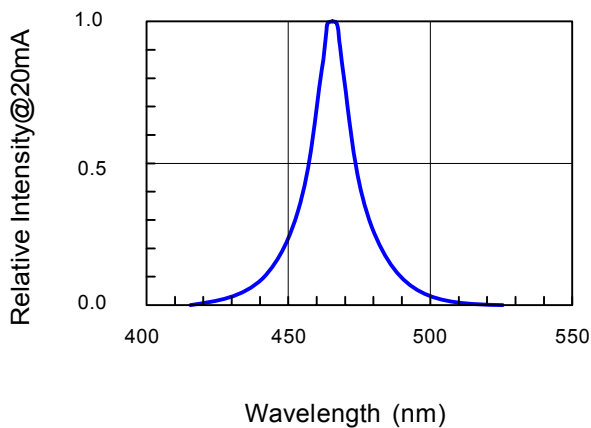
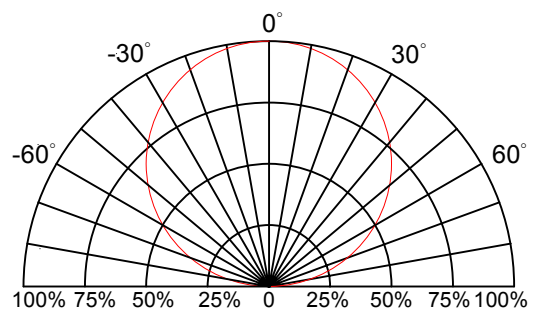


Fig.6 Directive Radiation

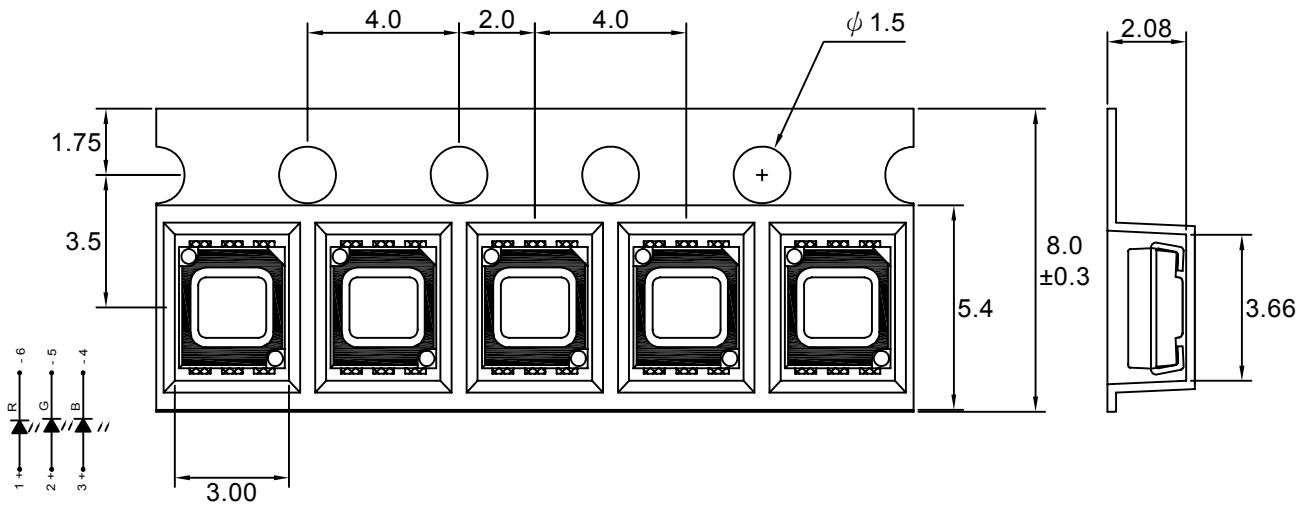




PART NO. LRGB9553-6-SB-NE

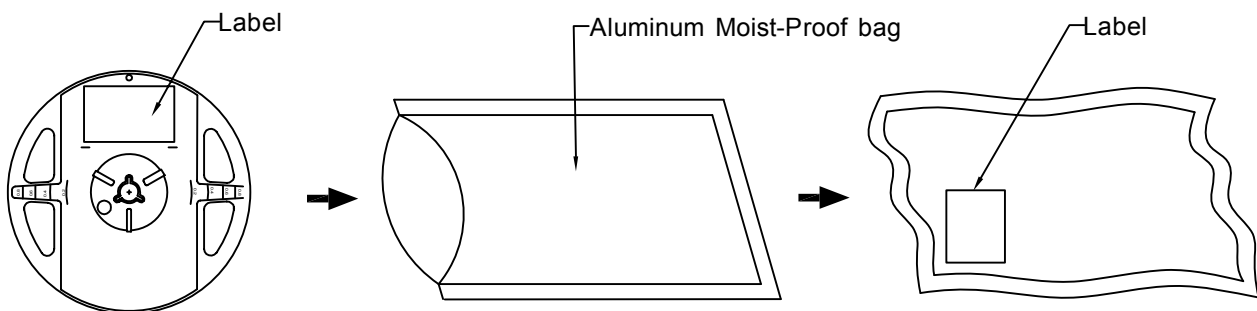
Page 8/13

Carrier Type Dimensions



Note : The tolerances unless mentioned is ± 0.1 mm, Angle ± 0.5 . Unit=mm.

Packing Specifications



Part No.	Description	Quantity/Reel
LRGB9553-6-SB-NE	8.0mm tape,7"reel	2000 PCS



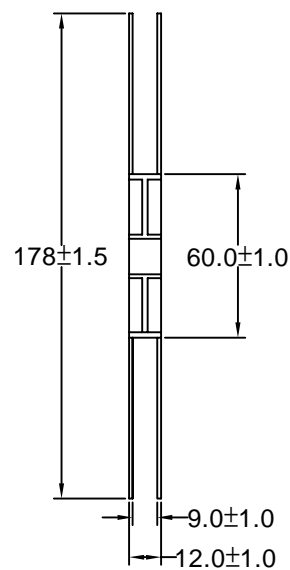
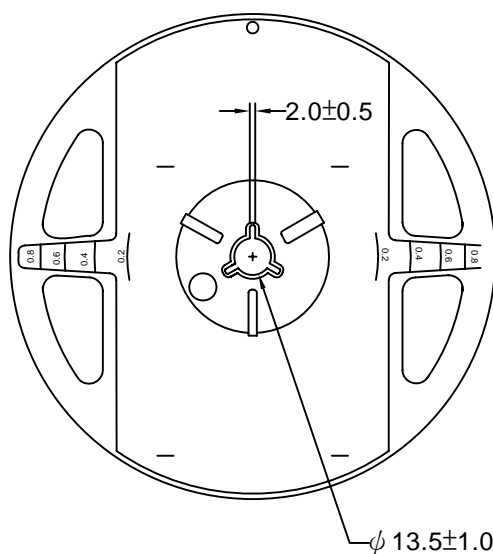
Label Explanation

	LIGITEK ELECTRONICS CO., LTD.	
PART :	LRGB9553-6-SB-NE	
LOT :	GS11570168	
QTY(PCS):	2000	VF:1.7-2.6
BIN/HUE :	U/W-1/S	VF:2.8-3.6
		VF:2.7-3.5

BIN : Luminous Intensity

HUE : Dominant Wavelength

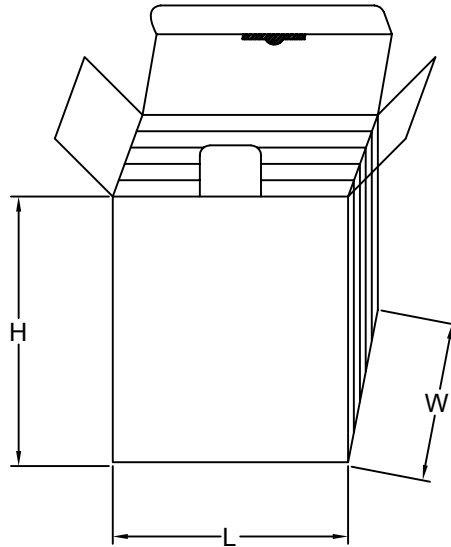
Reel Dimensions



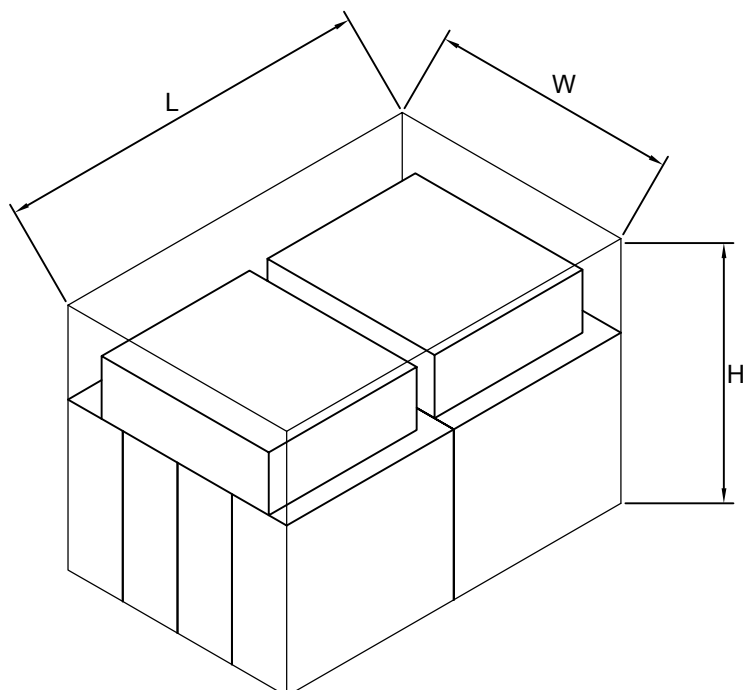


Box Explanation

1. 5 BAG / INNER BOX
2. INNER BOX SIZE : L X W X H 23cm X 8.5cm x 26cm



3. 10 INNER BOXES / CARTON
4. CARTON SIZE : L X W X H 58cm X 34cm x 35cm



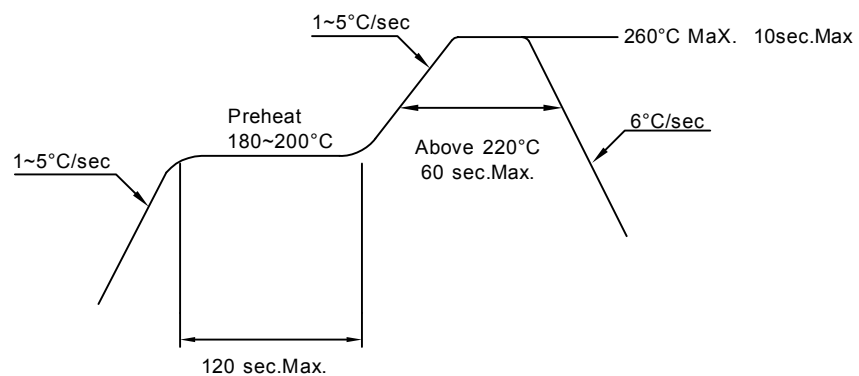


Recommended Soldering Conditions

1. Hand Solder

Basic spec is $\leq 320^{\circ}\text{C}$ 3 sec one time only.

2. PB-Free Reflow Solder



Note:

- 1.Reflow soldering should not be done more than two times.
- 2.When soldering,do not put stress on the LEDs during heating.
- 3.After soldering,do not warp the circuit board.



Precautions For Use:

Storage time:

1. Calculated shelf life before opening is 12 months at $< 30^{\circ}\text{C}$ and $< 90\%$ relative humidity (RH)
2. After bag is opened, devices which will be subjected to reflow soldering or other high temperature processes must be
 - a) Assembled within 168 hours in an environment of $\leq 30^{\circ}\text{C}$ / 60% RH, or
 - b) Stored at ambient of 10% RH or less
3. Devices are required baking before assembly if:
 - a) Humidity Indicator Card reads $>10\%$ (for level 2a -5a) or $>60\%$ (for level 2) at ambient temperature $23\pm 5^{\circ}\text{C}$
 - b) 2.a) or 2.b) doesn't meet
4. If baking is required, devices should be baked for >72 hours at $60\pm 5^{\circ}\text{C}$ / 5% RH. Performing baking only once, and using the baked devices within 72 hours.

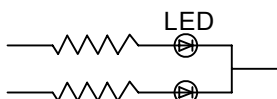
MSL LEVEL 3

Drive Method:

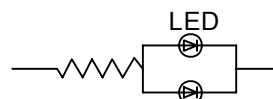
LED is a current operated device, and therefore, requires some kind of current limiting incorporated into the driver circuit. This current limiting typically takes the form of a current limiting resistor placed in series with the LED.

Consider worst case voltage variations than could occur across the current limiting resistor. The forward current should not be allowed to change by more than 40% of its desired value.

Circuit model A



Circuit model B



(A) Recommended circuit.

(B) The difference of brightness between LED could be found due to the VF-IF characteristics of LED.

Cleaning:

Use alcohol-based cleaning solvents such as isopropyl alcohol to clean the LED.

ESD(Electrostatic Discharge):

Static Electricity or power surge will damage the LED. Use of a conductive wrist band or anti-electrostatic glove is recommended when handling these LED. All devices, equipment and machinery must be properly grounded.



Reliability Test:

Classification	Test Item	Test Condition	Sample Size
Endurance Test	Operating Life Test	1.Ta=25°C 2.If=20mA 3.t=1000 hrs (-24hrs,+72hrs)	22
	High Temperature Storage Test	1.Ta=100°C±5°C 2.t=1000 hrs (-24hrs,+72hrs)	22
	Low Temperature Storage Test	1.Ta=-40°C±5°C 2.t=1000 hrs (-24hrs,+72hrs)	22
	High Temperature High Humidity Storage Test	1.Ta=85°C 2.RH=85% 3.t=1000hrs(-24hrs,+72hrs)	22
Environmental Test	Thermal Shock Test	1.Ta=100°C±5°C ~ -40°C±5°C 20min/ 10sec / 20min 2.total 100 cycles	22
	Temperature Cycling	1.100°C±5°C ~ -40°C±5°C 30mins / 5mins / 30mins 2.100 Cyeles	22
	IR Reflow	1.T=260°C Max. 10sec.Max. 2. 6 Min	22